

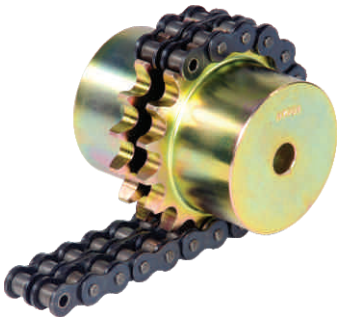
Chain Coupling



Salient Features

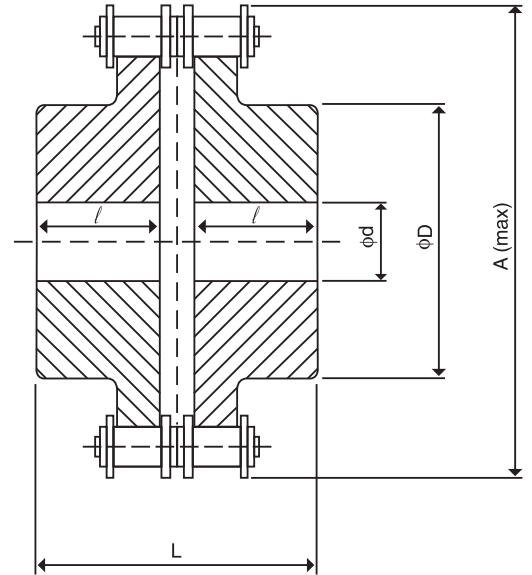
- Connect quickly & easily
- Long life
- Maintenance free
- Simple to install
- Noise free
- Simple construction
- Flexible for easy alignment
- Compact & powerful
- High torque transmission

Chain Coupling



Applications

- Power Transformation
- Print & Paper Industry
- Gear Boxes
- Textile Industries
- Conveyors
- Pumps
- Compressors
- Process Industries
- Chemical & Pharmaceutical Industry



Model No.	(d) Bore (mm)			Boss (mm)		Overall size (mm)		Torque @ 500rpm (Nm)	Maximum speed (rpm)	Approx. Wt.(kg)
	Min.	Max.	Pilot	D	ℓ	A	L			
CC04012	11	22	10	35	36	61	79.4	0.11	4800	0.8
CC04014	12	28	10	43	36	69	79.4	0.15		1.1
CC04016	16	32	14	50	40	77	87.4	0.18		1.5
CC05014	16	35	14	53	45	86	99.7	0.27	3600	2.2
CC05016	16	40	14	60	45	96	99.7	0.35		2.7
CC05018	16	45	14	70	45	106	99.7	0.40	3000	3.6
CC06018	20	56	18	85	56	128	123.5	0.76	2500	6.5
CC06020	20	60	18	98	56	140	123.5	0.90		8.3
CC06022	20	75	18	110	56	152	123.5	1.1		10.2
CC08018	25	80	23	115	63	170	141.2	1.8	2000	13.8
CC08020	28	90	25	125	65	186	145.2	2.0		16.6
CC08022	40	100	28	140	71	203	157.2	2.5		21.6
CC10020	45	110	40	160	80	233	178.8	3.7	1800	32
CC12018	50	125	45	170	90	255	202.7	5.6	1500	43
CC12022	56	140	50	200	100	304	222.7	7.5	1200	65
CC16018	63	160	55	225	112	340	254.1	12	1000	96
CC16022	80	200	70	280	140	405	310.1	17		167
CC20018	82	205	75	290	200	425	437.5	24	800	251
CC20022	100	255	90	360	220	506	477.5	31	600	404
CC24022	120	310	110	445	302.5	607	650	58	600	816
CC24026	150	360	140	525	327.5	704	700	69	500	1190

Finished bore with keyway / spline can be supplied for specific applications on request.



RYDON INDUSTRIES PVT. LTD.,

10, Avarampalayam Road, Peelamedu P.O.,
Coimbatore - 641 004, Tamil Nadu, INDIA.

Phone : + 91 422 2564511, 2564522, 2564533 Fax : + 91 422 4273479

E-mail : rydon@rydongroup.com

www.rydongroup.com